

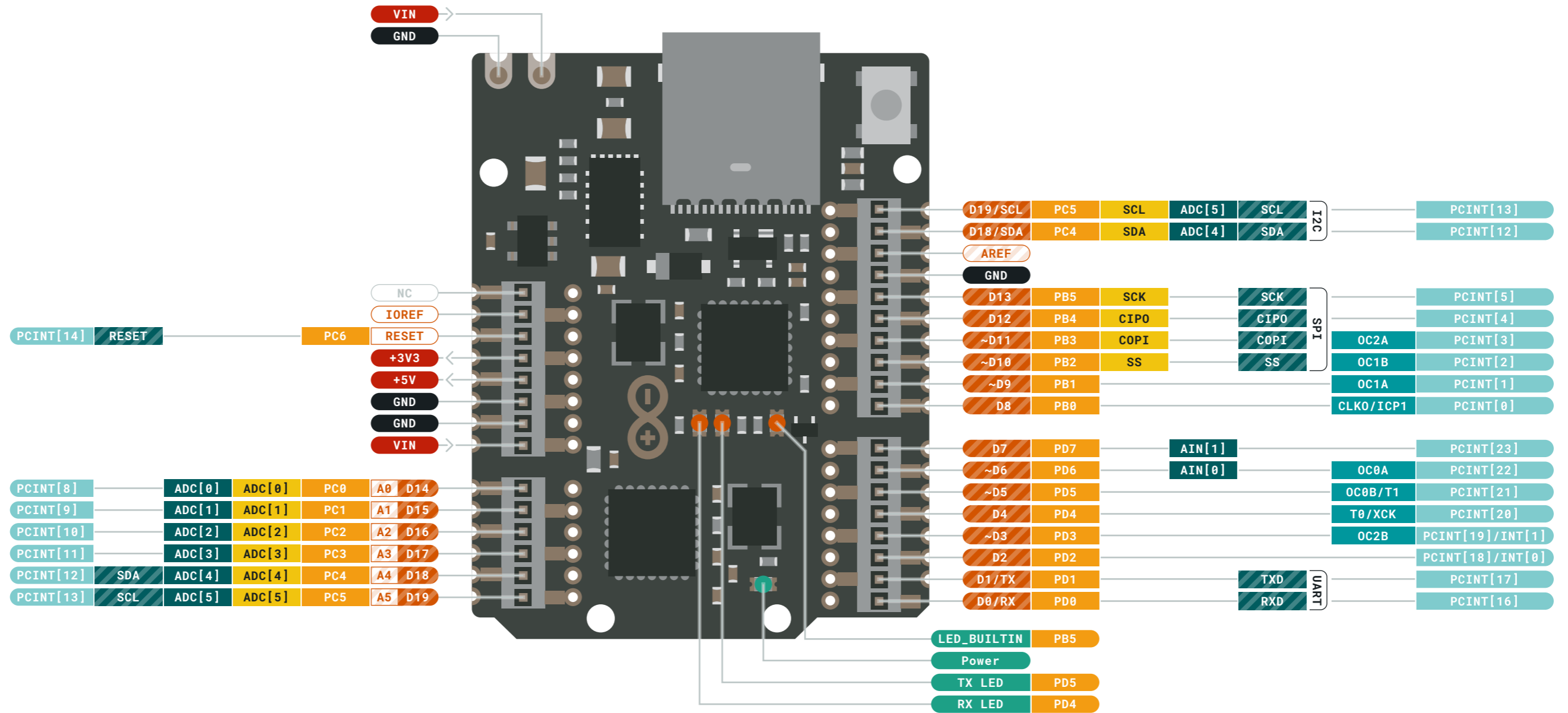
- Ground
- Power
- LED
- Internal Pin
- SWD Pin
- Digital Pin
- Analog Pin
- Other Pin
- Microcontroller's Port
- Default

! **MAXIMUM** current per I/O pin is 20mA

! **MAXIMUM** current per +3.3V pin is 500mA

VIN 6-20 V input to the board.





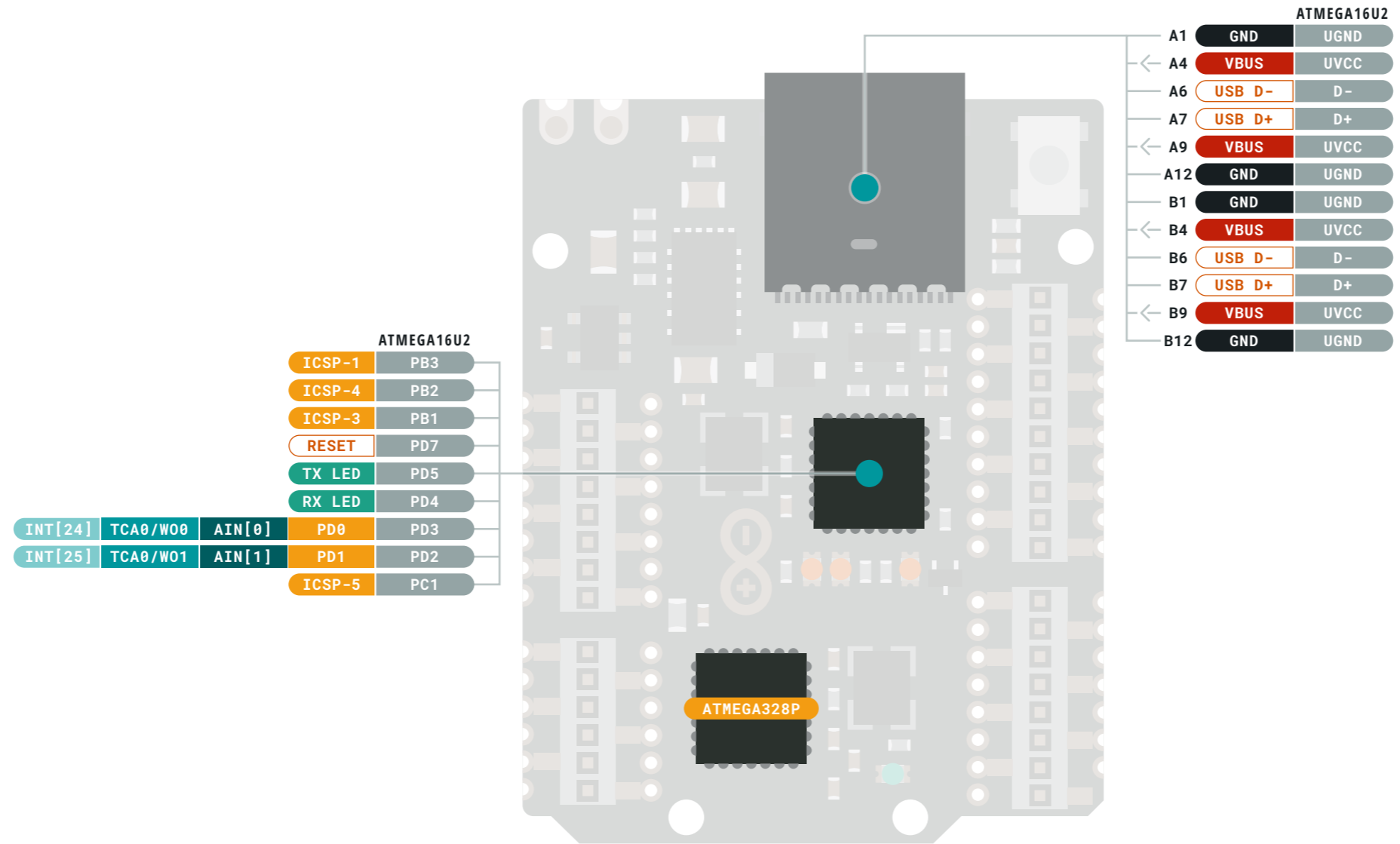
- Ground
- Power
- LED
- Internal Pin
- SWD Pin
- Digital Pin
- Analog Pin
- Other Pin
- Microcontroller's Port
- Default
- Analog
- Communication
- Timer
- Interrupt
- Sercom

⚠️ MAXIMUM current per I/O pin is 20mA

⚠️ MAXIMUM current per +3.3V pin is 500mA

VIN 6-20 V input to the board.



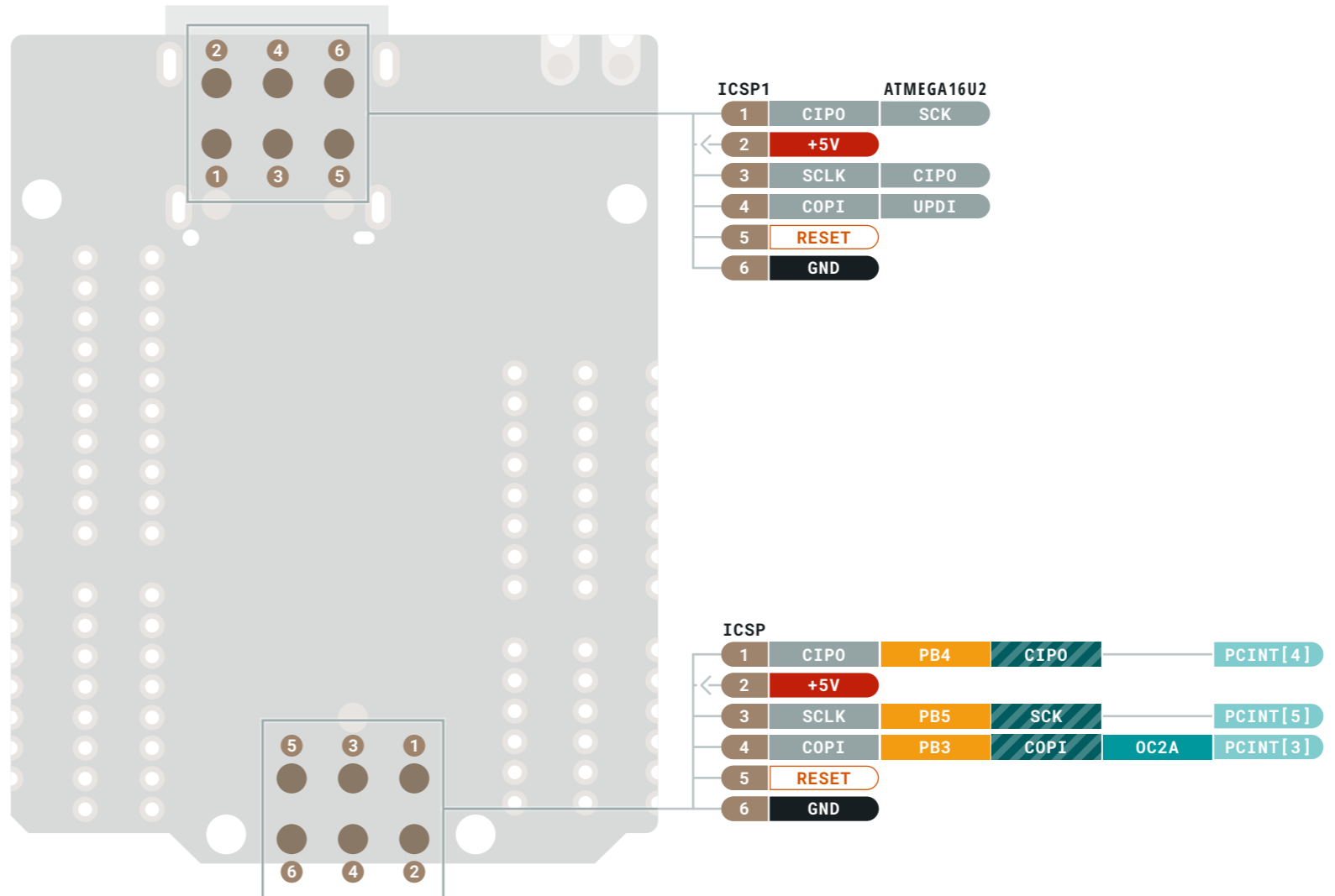


- Ground
- Power
- LED
- Internal Pin
- SWD Pin
- Digital Pin
- Analog Pin
- Other Pin
- Microcontroller's Port
- Default
- Analog
- Communication
- Timer
- Interrupt
- Sercom

- ⚠ **MAXIMUM** current per I/O pin is 20mA
- ⚠ **MAXIMUM** current per +3.3V pin is 500mA
- VIN** 6-20 V input to the board.



BOTTOM



- Ground
- Power
- LED
- Internal Pin
- SWD Pin
- Digital Pin
- Analog Pin
- Other Pin
- Microcontroller's Port
- Default
- Analog
- Communication
- Timer
- Interrupt
- Sercom

MAXIMUM current per I/O pin is 20mA

MAXIMUM current per +3.3V pin is 500mA

VIN 6-20 V input to the board.

